

Introduction

This literature applies to standard gear drives with ratings, speeds, ratios and dimensions as catalogued in current Rexnord selection guides. Refer to the Factory for all specials and modifications.

- IDENTIFY DRIVE** — Give complete data shown on drive nameplate. Also, give reference numbers, part numbers, and name of parts required. Drawings and reference numbers are representative of all sizes and the actual parts may not agree in exact detail for each drive size. Complete nameplate data and parts reference number will assure receipt of correct parts.

Sample Nameplate

MODEL	M1170DHC2AN-25.01-LD0126		
M.O. S/N	02-065938-02	RATIO	25.01
RPM n1/n2	1669/66.7	APPLIED POWER	200 HP
CATALOG POWER	312 HP	SERVICE FACTOR	1.56
DATE	03-02	APPROX. OIL	14 GAL
SEE OWNER'S MANUAL FOR INSTALLATION AND SERVICE			
LUBRICATION			
FILL TO LEVEL INDICATED WITH EXTREME PRESSURE OIL PER REQUIREMENTS. CHANGE OIL EVERY 2500 HOURS OR SIX MONTHS, WHICHEVER OCCURS FIRST. FAILURE TO FOLLOW INSTRUCTIONS VOIDS WARRANTY.			
AMBIENT TEMPERATURE		ISO-VG	AGMA
-9 TO +16°C (15 TO 60°F)		220 EP	5 EP
+10 TO +52°C (50 TO 125°F)		320 EP	6 EP
Rexnord Industries, LLC www.rexnord.com			
			D003012

NOTE: It is recommended that the shaft seals be replaced whenever it becomes necessary to disturb a seal in the process of disassembling a drive. It is also recommended that the Repair Kit, Ref. No. "RK", consisting of a full set of seals, bearings and bore plugs be considered when disassembling a drive for servicing.

PINIONS, GEARS & SHAFTS — Replacement of a pinion, gear or shaft may also require the replacement of the respective connected parts. It is recommended that the Factory be contacted to help make that determination.

FASTENERS — DRIVE ONE fasteners are generally re-usable. If replacement fasteners are required, consult the drive service manual for sizing and grade information for local availability. Rexnord will of course furnish fastener kits if required. Simply identify the part for which they are required.

SHAFT COUPLINGS & OTHER DRIVE ACCESSORIES — Refer to coupling parts guide or appropriate accessory product literature for servicing or replacement information.

- ORDER PLACEMENT** — Place your order with your local Rexnord Representative or Distributor. If you need assistance call the number below.

Bearing & Seal Identification

Refer to the exploded views on Page 2 to identify the bearings and oil seals by the parts list Reference Number. Then refer to Tables 2 thru 5, Page 4, to determine the Manufacturer and Manufacturer's part number.

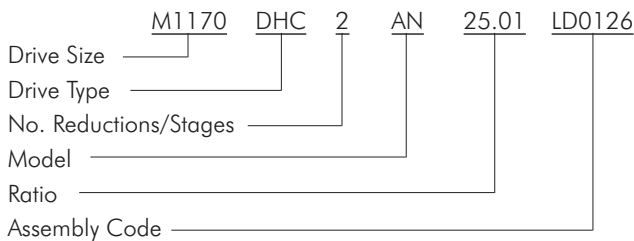
Corrosion Protection & Storage

CAUTION: Follow guidelines below to avoid damage to parts.

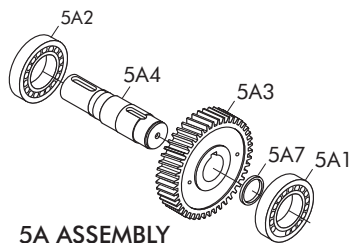
- For domestic or indoor storage, the Factory provides standard 24 month protection as boxed or optional 24 month protection for individual parts.
- For export or outdoor storage, the Factory provides optional 18 month protection.

CAUTION: This protection does not cover exposure to elements such as standing water, etc.

Drive Identification



- IDENTIFY INDIVIDUAL PARTS** — Use exploded view on Page 2 to determine Ref. No. of required parts.



Ref. No.	Part Description
5A1	Bearing
5A2	Bearing
5A3	Gear
5A4	Shaft
5A7	Spacer

Parts Diagram

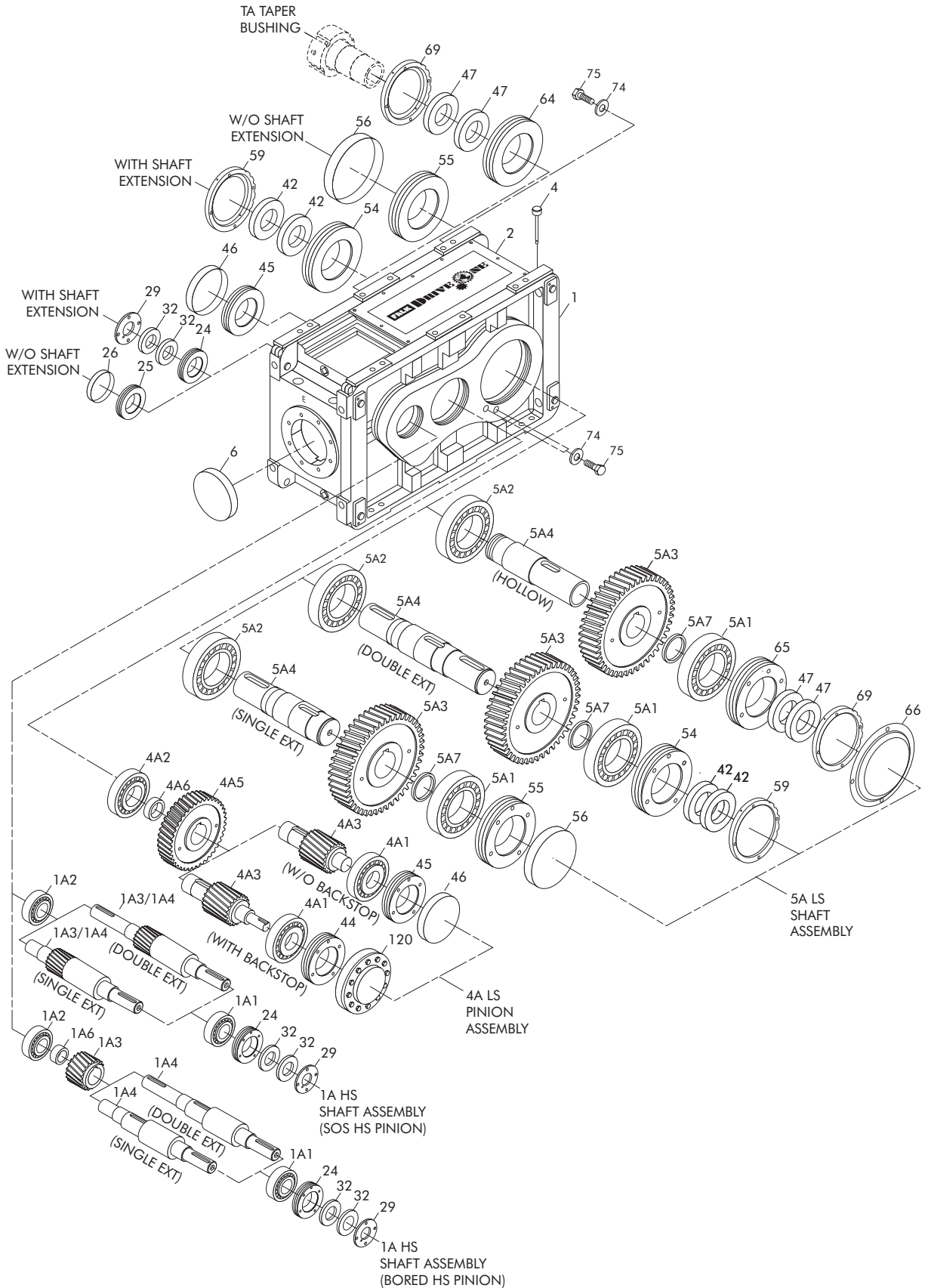


TABLE 1 — Parts List

Ref. No.	Part Description
1	Housing (Consists of Housing, Bore Plug, Inspection Cover & all Hardware)
2	Inspection Cover
4	Dipstick
6	Housing Bore Plug
20	High Speed Retaining Nut Assembly (Incl. Ref. 24, 29, 32 & Hardware)
21	High Speed Retaining Nut Assembly (Incl. Ref. 25, 26 & Hardware)
24	Bearing Adjustment Nut
25	Bearing Adjustment Nut
26	Bore Plug
28	High Speed Seal Cage
29	Grease Purge Cover
32	High Speed Oil Seal
40	Low Speed Pinion Retaining Nut Assembly (Incl. Ref. 45, 46 & Hardware)
41	Low Speed Pinion Retaining Nut Assembly (Incl. Ref. 44 & Hardware)
42	Low Speed Oil Seal
44	Bearing Adjustment Nut
45	Bearing Adjustment Nut
46	Bore Plug
47	Low Speed Oil Seal
50	Low Speed Shaft Retaining Nut Assembly (Incl. Ref. 42, 54, 59 & Hardware)
51	Low Speed Shaft Retaining Nut Assembly (Incl. Ref. 55, 56 & Hardware)
54	Bearing Adjustment Nut
55	Bearing Adjustment Nut
56	Bore Plug
59	Low Speed Seal Cage
60	Hollow Low Speed Shaft Retaining Nut Assembly (Incl. Ref. 47, 65, 66 & Hardware)
61	Hollow Low Speed Shaft Retaining Nut Assembly (Incl. Ref. 47, 64, 69 & Hardware)
64	Bearing Adjustment Nut
65	Bearing Adjustment Nut
66	Shaft Cover
69	Low Speed Seal Cage
70	Fan
71	Drive Shroud
72	Fan Shroud (Guard)
73	Shaft Cover
74	Fender Washer
75	Bolt
80	Electric Fan/Motor
81	Drive Shroud
120	Backstop Assembly
RK	Repair Kit
1A	HIGH SPEED SHAFT ASSEMBLY (Incl. Ref. 1A1 thru 1A4 & 1A6)
1A1	Bearing
1A2	Bearing
1A3	Pinion
1A4	Shaft
1A3/1A4	Pinion & Shaft
1A6	Spacer
4A	LOW SPEED PINION ASSEMBLY (Incl. Ref. 4A1 thru 4A6)
4A1	Bearing
4A2	Bearing
4A3	Pinion & Shaft
4A5	Gear
4A6	Spacer
5A	LOW SPEED SHAFT ASSEMBLY (Incl. Ref. 5A1 thru 5A7)
5A1	Bearing
5A2	Bearing
5A3	Gear
5A4	Shaft
5A7	Spacer

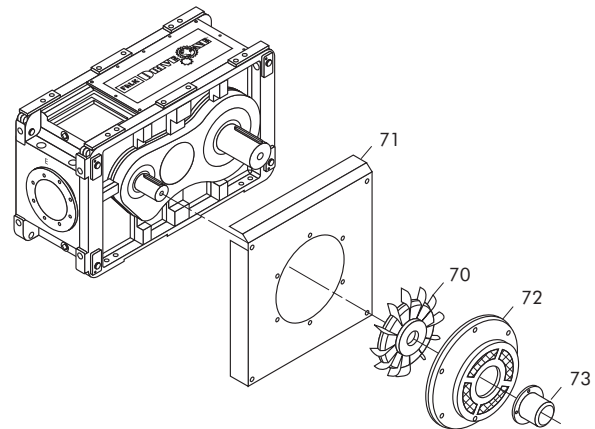
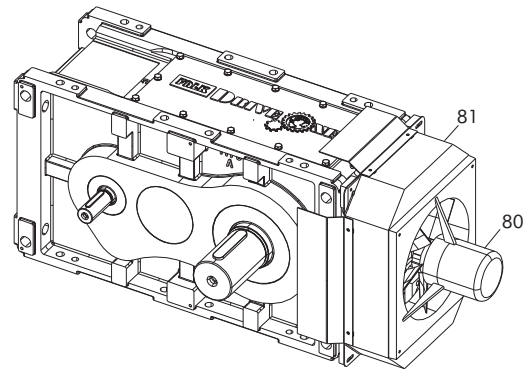
SHAFT FAN PARTS

ELECTRIC FAN PARTS




TABLE 2 — Oil Seals/Falk Part Numbers

DRIVE SIZE	Ratio	H.S. Shaft	L.S. Shaft	
			Solid (DHC)	Hollow (DHT)
			Reference No.	
		32	42	47
M1130	6.3-16.0 :1 18.0-28.0:1	D003347	D005652	
		D004601		
M1140	6.3-16.0 :1 18.0-28.0:1	D003347	D005879	
		D003349		
M1150	6.3-16.0 :1 18.0-28.0:1	D003721	D004282	
		D003347		
M1160	6.3-16.0 :1 18.0-28.0:1	D003346	D003435	
		D003347		
M1170	6.3-16.0 :1 18.0-28.0:1	D003720	D003719	D003723
		D003721		
M1180	6.3-16.0 :1 18.0-28.0:1	D003434	D004282	D004283
		D004281		
M1190	6.3-16.0 :1 18.0-28.0:1	D003198	D003435	D003199
		D003434		
M1200	5.00-12.5 14.0-22.4	D007906	D004283	D011787
		D007905		
M1210	5.60-14.0 16.0-25.0	D007906	D004283	D011787
		D007905		

TABLE 3 — Seal Manufacturer's Part Numbers

Falk Part No.	Manufacturer's Part No.	
	Chicago Rawhide	Transcom
D003198	CR33412	...
D003199	...	240x270x15TC
D003346	...	T60X85X8VTC
D003347	CR11753	45x62x7VTC
D003348	CR15856	40x62x10VTC
D003349	CR13963	...
D003434	CR29526	...
D003435	...	180x210x15TC
D003719	...	140x170x14TC
D003720	...	70x100x10VTC
D003721	CR21611	55x70x8VSB
D003723	...	200x230x15TC
D004281
D004282	...	170x200x15TC
D004283	...	220x250x15TC
D004601	...	T30X48X7VTC
D005652	...	130x150x10TC
D005879	...	150x180x15TC
D007905	...	T85X110X12VTC
D007906	CR35435	90x120x12VTF
D011787	CR110245	...

TABLE 4 — Bearings/Falk Part Numbers

DRIVE SIZE	Ratio	H.S. Shaft	Int. Shaft	L.S. Shaft	
				Solid (DHC)	Hollow (DHT)
				Reference No.	
		1A1/1A2	4A1/4A2	5A1/5A2	5A1/5A2
M1130	6.3-16.0 :1 18.0-28.0:1	D004870	D003886	D004862	D004862
		D004285			
M1140	6.3-16.0 :1 18.0-28.0:1	D004870	D005590	D005589	D005589
		D005591			
M1150	6.3-16.0 :1 18.0-28.0:1	D002006	D004418	D004236	D004236
		D004419			
M1160	6.3-16.0 :1 18.0-28.0:1	D003307	D003384	D003265	D003265
		D003500			
M1170	6.3-16.0 :1 18.0-28.0:1	D002007	D005873	D002009	D002848
		D002006			
M1180	6.3-16.0 :1 18.0-28.0:1	D002885	D002889	D004127	D003971
		D003036			
M1190	6.3-16.0 :1 18.0-28.0:1	D003384	D002915	D002882	D003073
		D002885			
M1200	5.00-12.5 14.0-22.4	D002898	D007949	D003971	D007950
		D002008			
M1210	5.60-14.0 16.0-25.0	D002898	D007949	D003971	D007950
		D002008			

TABLE 5 — Bearing Manufacturer's Part Numbers

Falk Part No.	Manufacturer's Part No.
D002006	32311 J2
D002007	32314 J2/Q
D002008	32317 J2
D002009	30228 J2
D002848	32940
D002882	32036X
D002885	32315
D002889	32320 J2
D002898	32318 J2
D002915	32321 J2
D003036	32313 J2/Q
D003073	32048X
D003265	32936
D003307	32312 J2/Q
D003384	33217 Q
D003500	32309 J2/Q
D003886	33210 Q
D003971	32044X
D004127	32034X
D004236	32934
D004285	32306 J2/Q
D004418	33215 Q
D004419	32308 J2/Q
D004862	32926
D004870	33209 Q
D005589	32030X
D005590	33212 Q
D005591	32307 J2/Q
D005873	32317 BJ2
D007949	32230 J2
D007950	32959 C02